

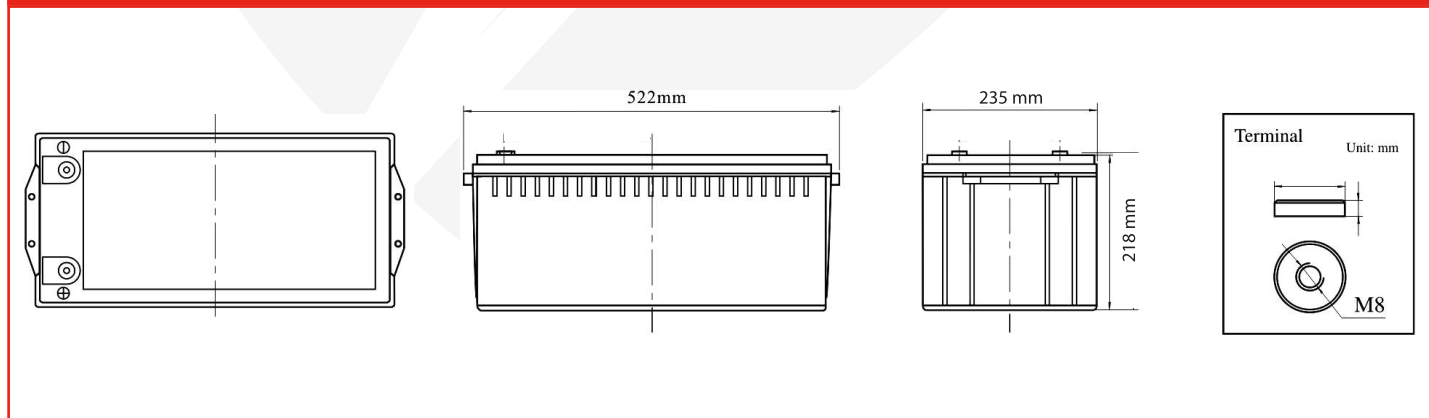
### Specification

Cells per Unit	6
Nominal voltag	12v
Nominal Capacity 20HR	200AH C20
Dimensions	Lenght522mm±2mm ( 20.5 inches ) Width235mm±2mm ( 9.2 inches ) Height218mm±2mm ( 8.6 inches )
Capacity 25C° (77°F)	197.8AH /10.02A (20hr , 1.80V/cell , 25°C/77°F)
Approx Weight	59Kg±0.5Kg (130 IBS)
Terminal	T11
Container Material	ABS
Max. Discharge Current	2000A (5s)
Internal Resistance	2.9mΩ
Operating Temp.Range	Discharge (-15~50°C ) (5~122°F) Charge ( 0~40°C ) (32~104°F) Storage (-15 ~ 50°) C (5~104°C)
Nominal Operating Temp. Range	25±3°C / 77±5°F
Cycle Use	Initial Current less than 30A 14.6V~14.8V at 25°C(77°F)Temp. Coefficient 30mV/°C
Standby Use	13,6
Capacity By Temperature	40°C (104°F) 103% 25°C (77°F) 100% 0°C (32°F) 88% -15°C ( 5°F) 70%
Quantity per box	1 PC per box
Self Discharge	ME Lead-Acid series batteries may be stored up to 6 months at 25°C (77°F) and than a freshening charge is required for higher temperatures the time interval will be shorter



DC (Deep Cycle) series batteries provide superior high integrity and reliability. It is specially designed for frequent cyclic charge and discharge. By using strong grids, thick plate and specially active material are designed for repeated deep-discharge applications. The DC series batteries offer 30% more cyclic life than standby series. It is suitable for solar and wind renewable energy storage, mobility and medical equipment, RV, telecom, broadband and cable TV, UPS systems etc.

### Dimensions



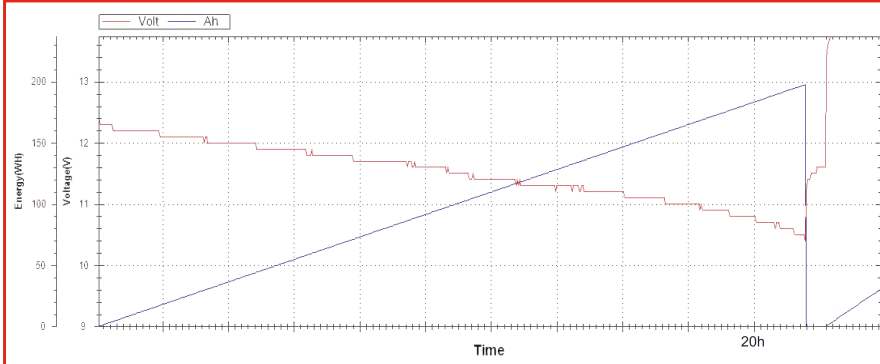
### Constant current discharge characteristics (Amperes) at 25 °C (77 °F)

F.V Time	5min	10 in	15 in	30 in	45 in	1h	2h	3h	5h	8h	10h	20h
1.60V	577.9	371.6	309.5	206.4	148.1	132.0	81.8	55.0	37.4	24.6	22.0	12.1
1.65V	567.4	364.8	303.9	202.6	145.4	129.6	80.4	54.0	36.7	24.2	21.6	11.9
1.70V	556.9	358.1	298.3	198.9	142.7	127.2	78.9	53.0	36.0	23.7	21.2	11.7
1.75V	546.4	351.3	292.7	195.1	140.0	124.8	77.4	52.0	35.4	23.3	20.8	11.4
1.80V	525.4	337.8	281.4	187.6	134.6	120.0	74.4	50.0	34.0	22.4	20.0	11.0

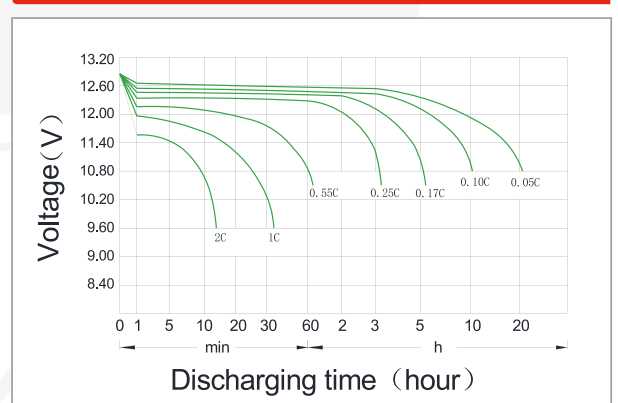
### Constant power discharge characteristics (Watts/cell) at 25 °C (77 °F)

F.V Time	5min	10 in	15 in	30 in	45 in	1h	2h	3h	5h	8h	10h	20h
1.60V	1112.5	715.3	595.9	397.2	285.0	254.1	157.5	105.9	72.0	47.4	42.4	23.3
1.65V	1092.3	702.3	585.0	390.0	279.8	249.5	154.7	104.0	70.7	46.6	41.6	22.9
1.70V	1072.1	689.3	574.2	382.8	274.7	244.9	151.8	102.0	69.4	45.7	40.8	22.4
1.75V	1051.9	676.3	563.4	375.6	269.5	240.2	148.9	100.1	68.1	44.8	40.0	22.0
1.80V	1011.4	650.3	541.7	361.1	259.1	231.0	143.2	96.3	65.5	43.1	38.5	21.2

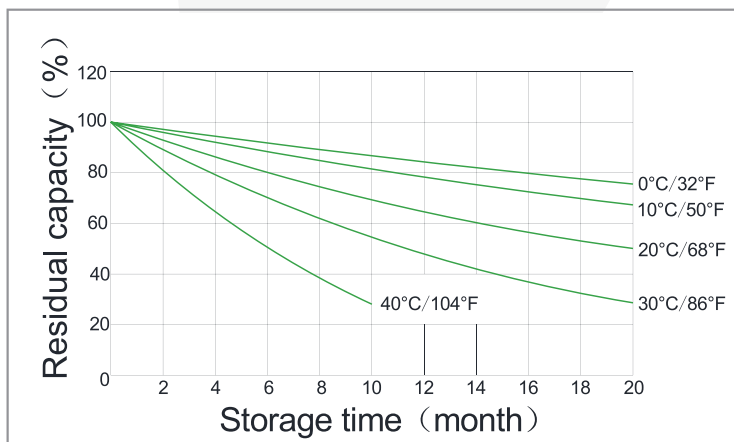
### Record Data Time Chart



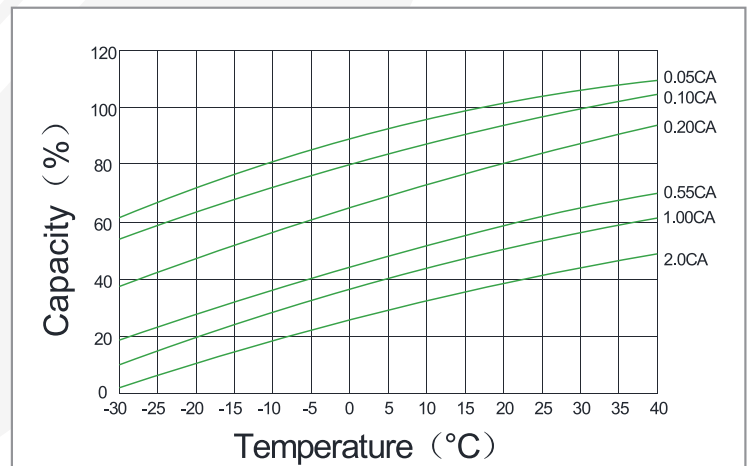
### Discharge characteristics (25°C)



### Temperature effect on battery self-discharge



### Temperature effect on capacity



### Get in touch



Address: Industrial Zone, Bounoura, Ghardaia, Algeria

Sales Service: +213 658 47 05 05

Technical Service: +213 658 16 05 05

Email: [contact@masterenergy-dz.com](mailto:contact@masterenergy-dz.com)

Website: <https://masterenergy-dz.com>